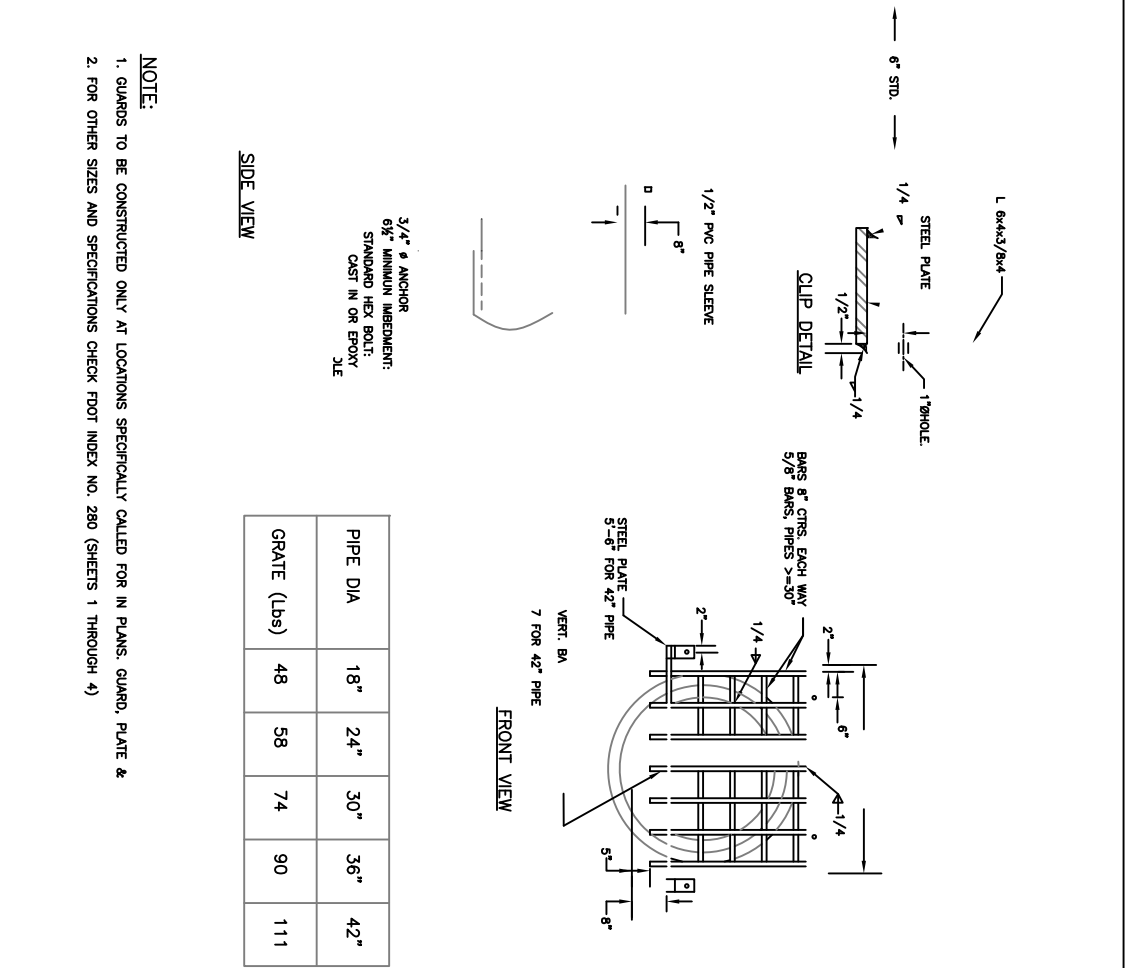
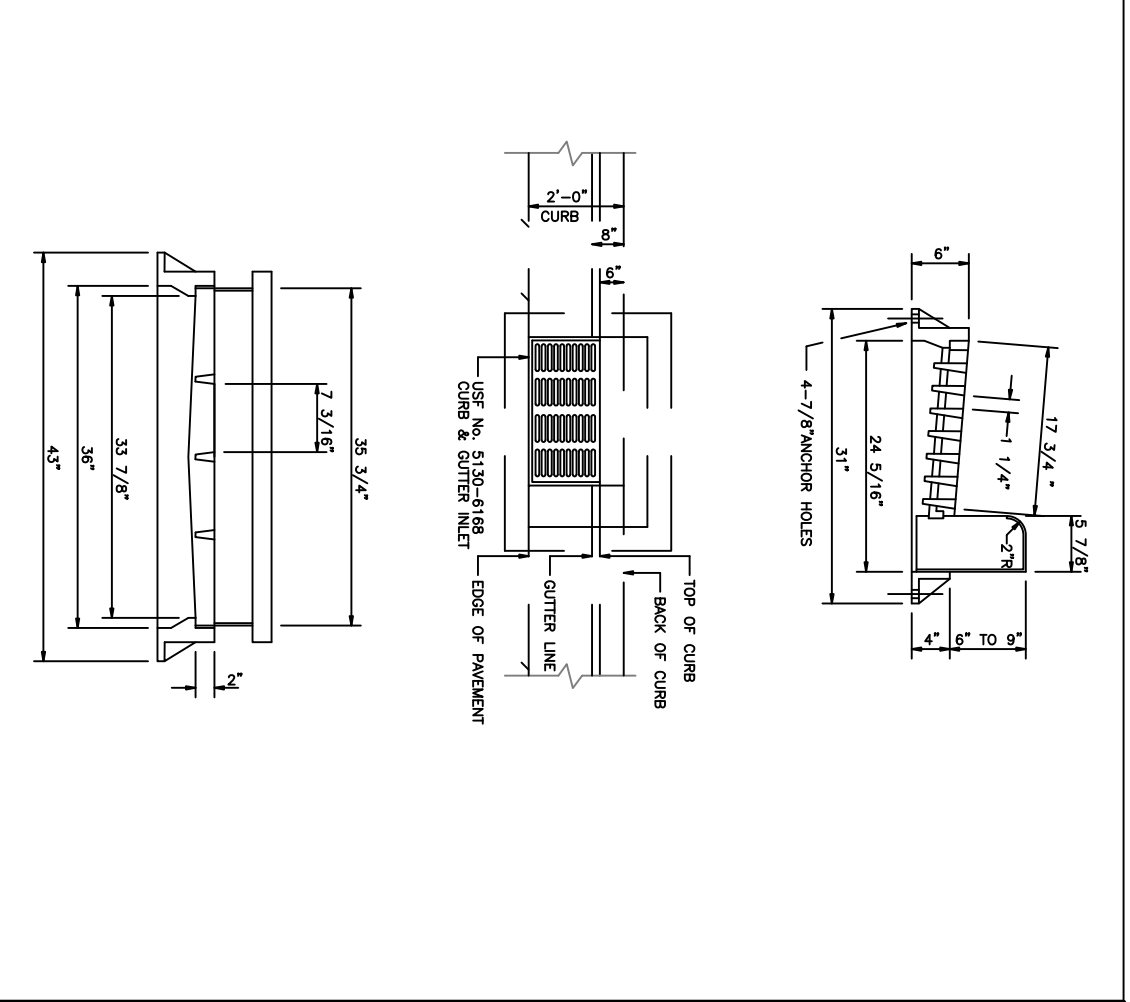
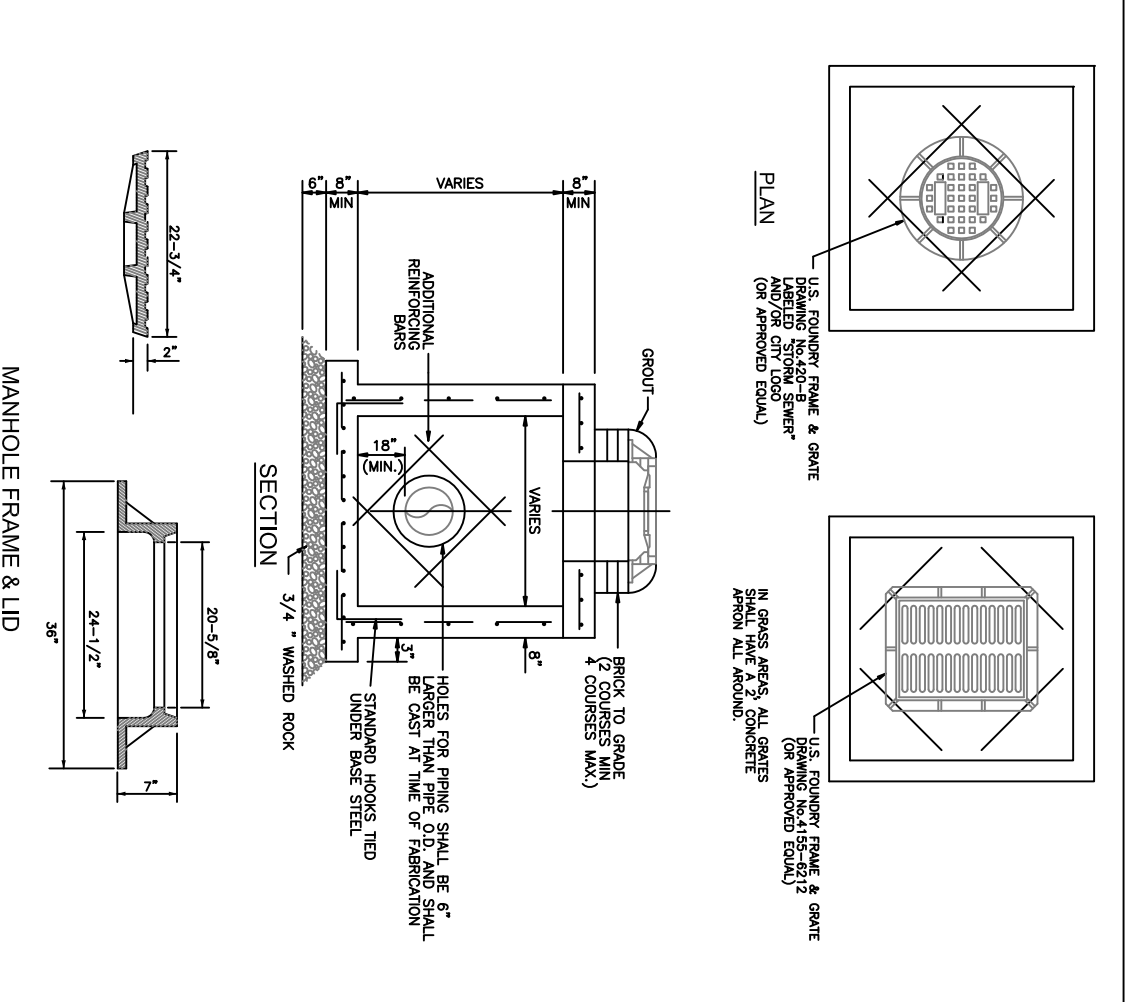
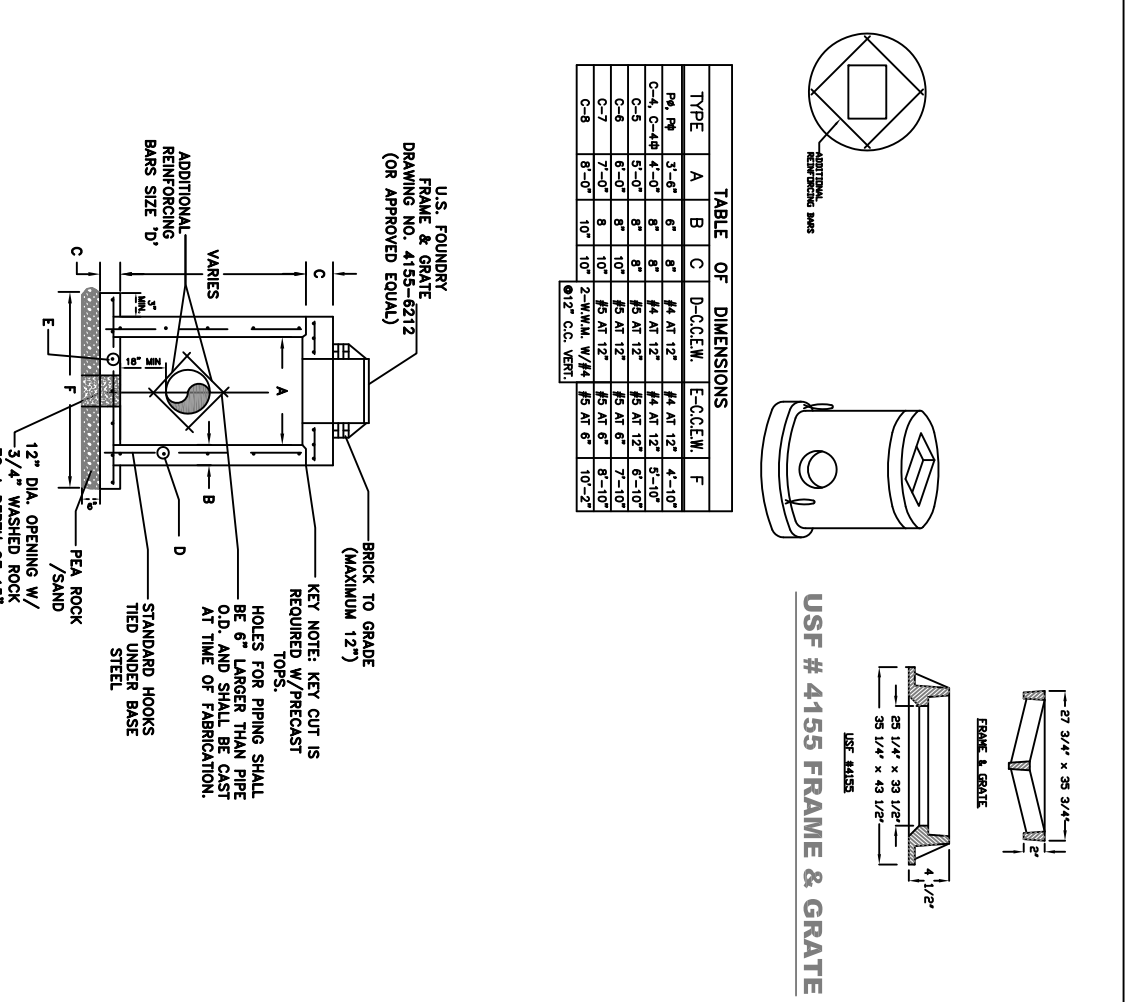
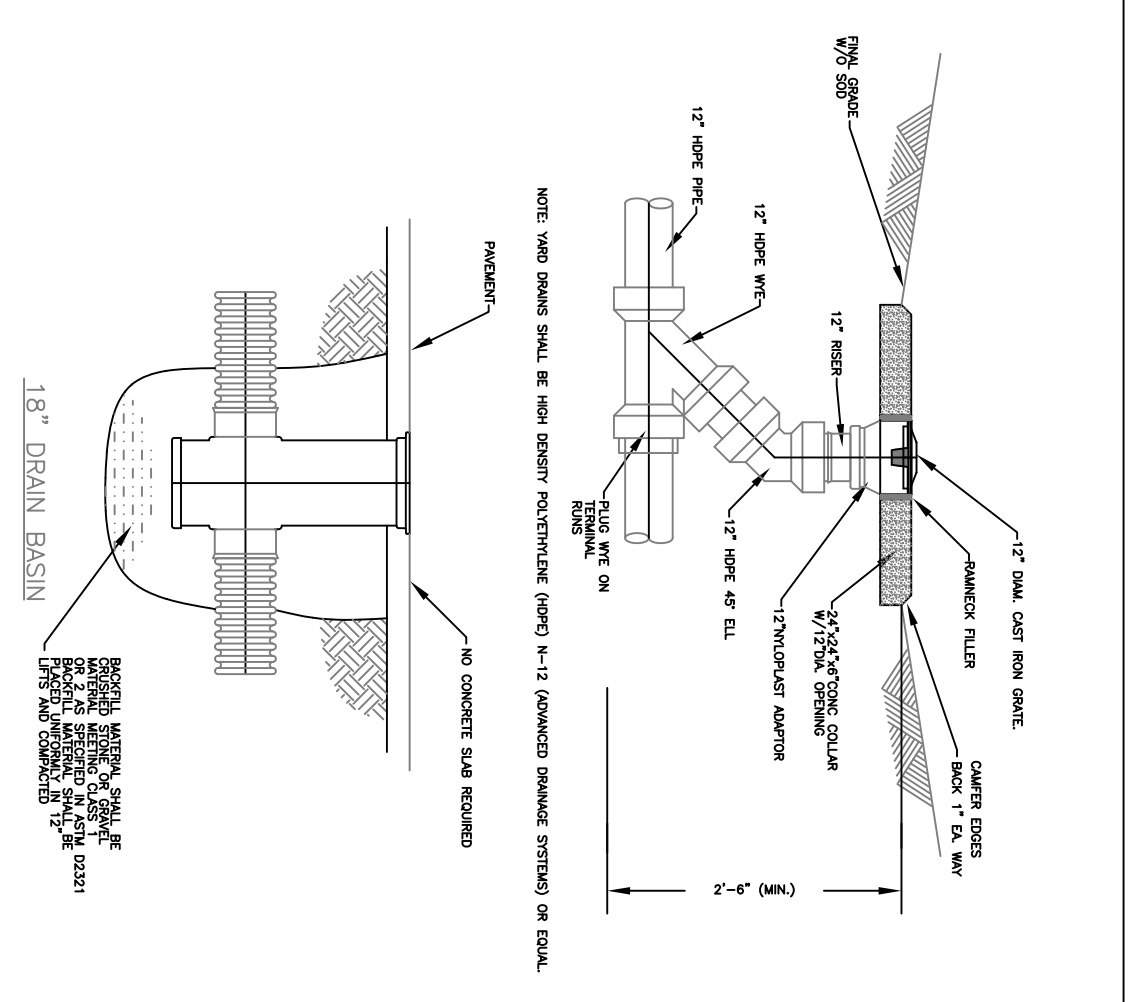
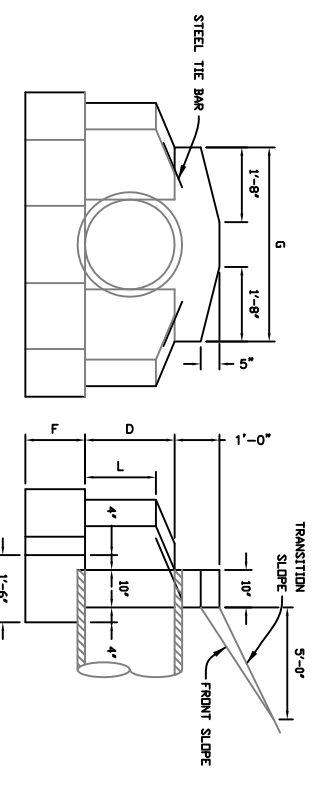
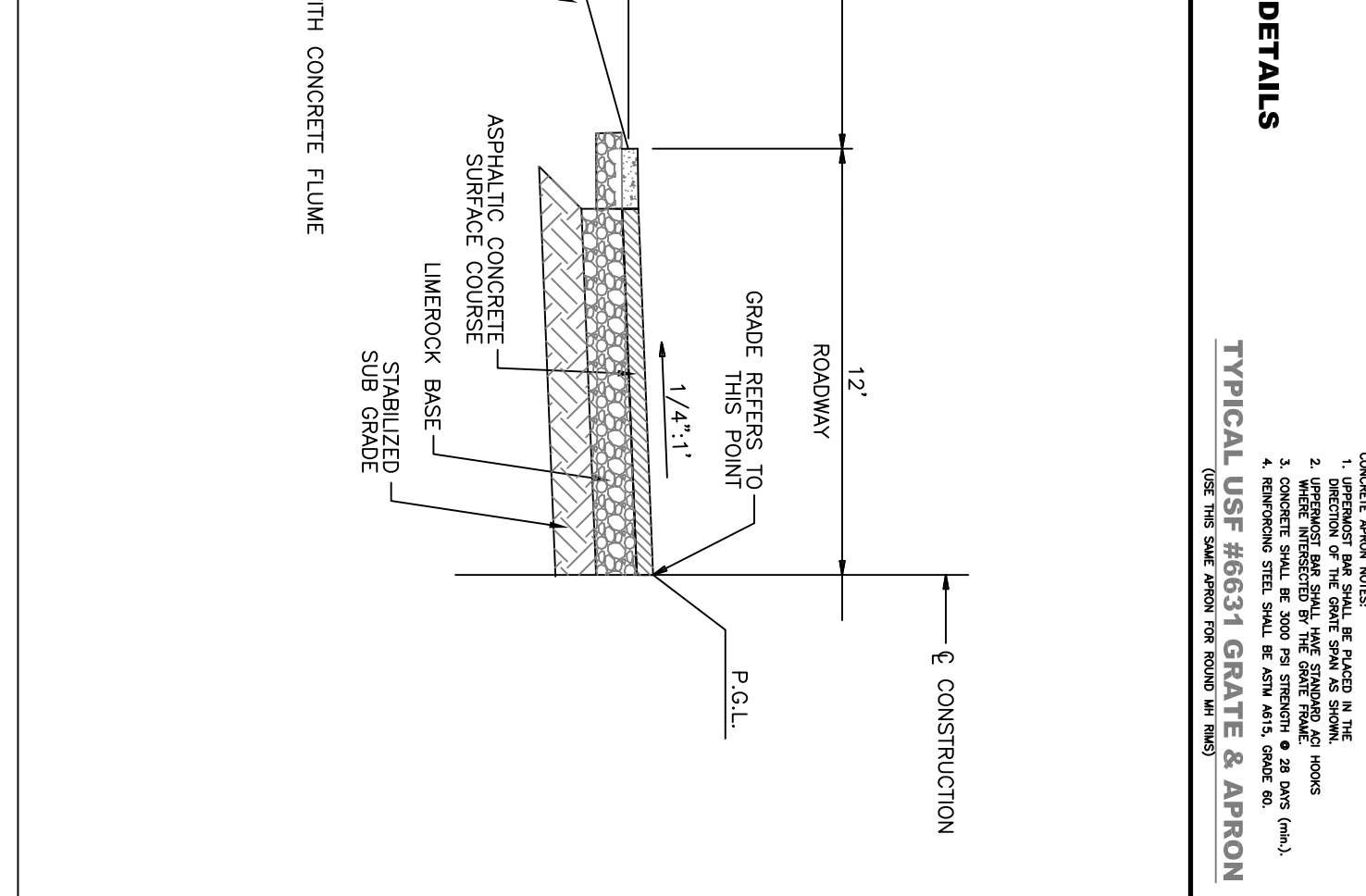
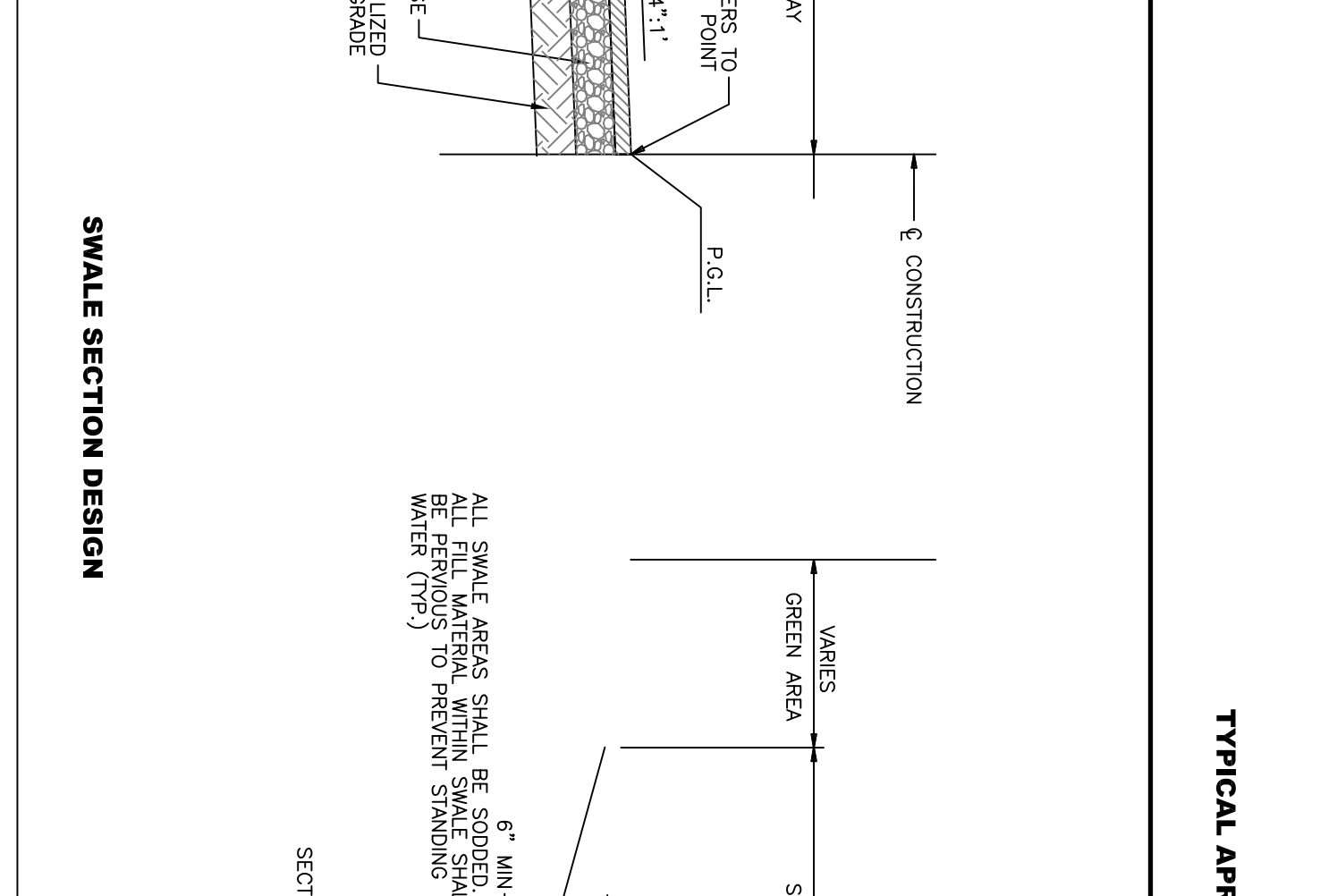
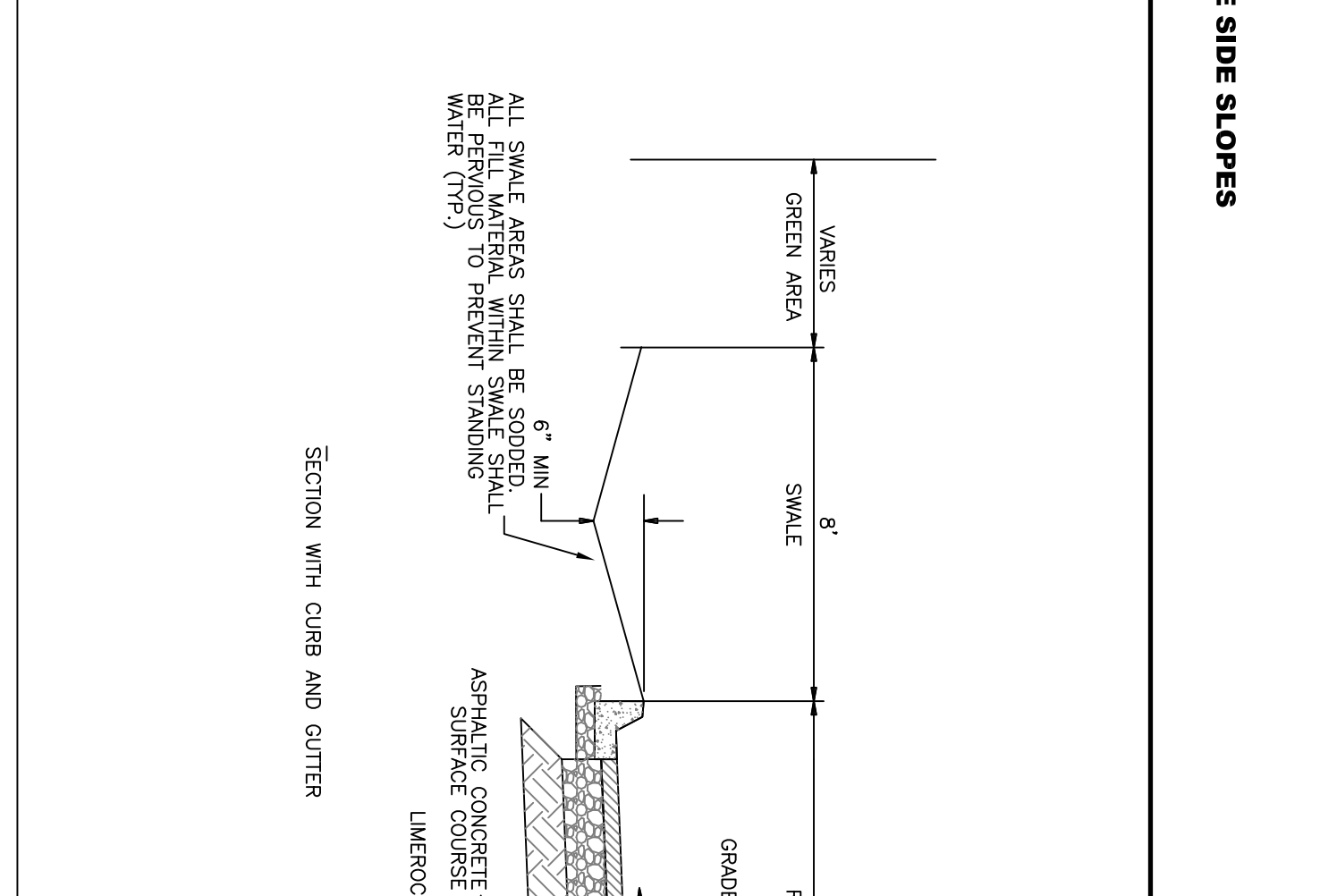
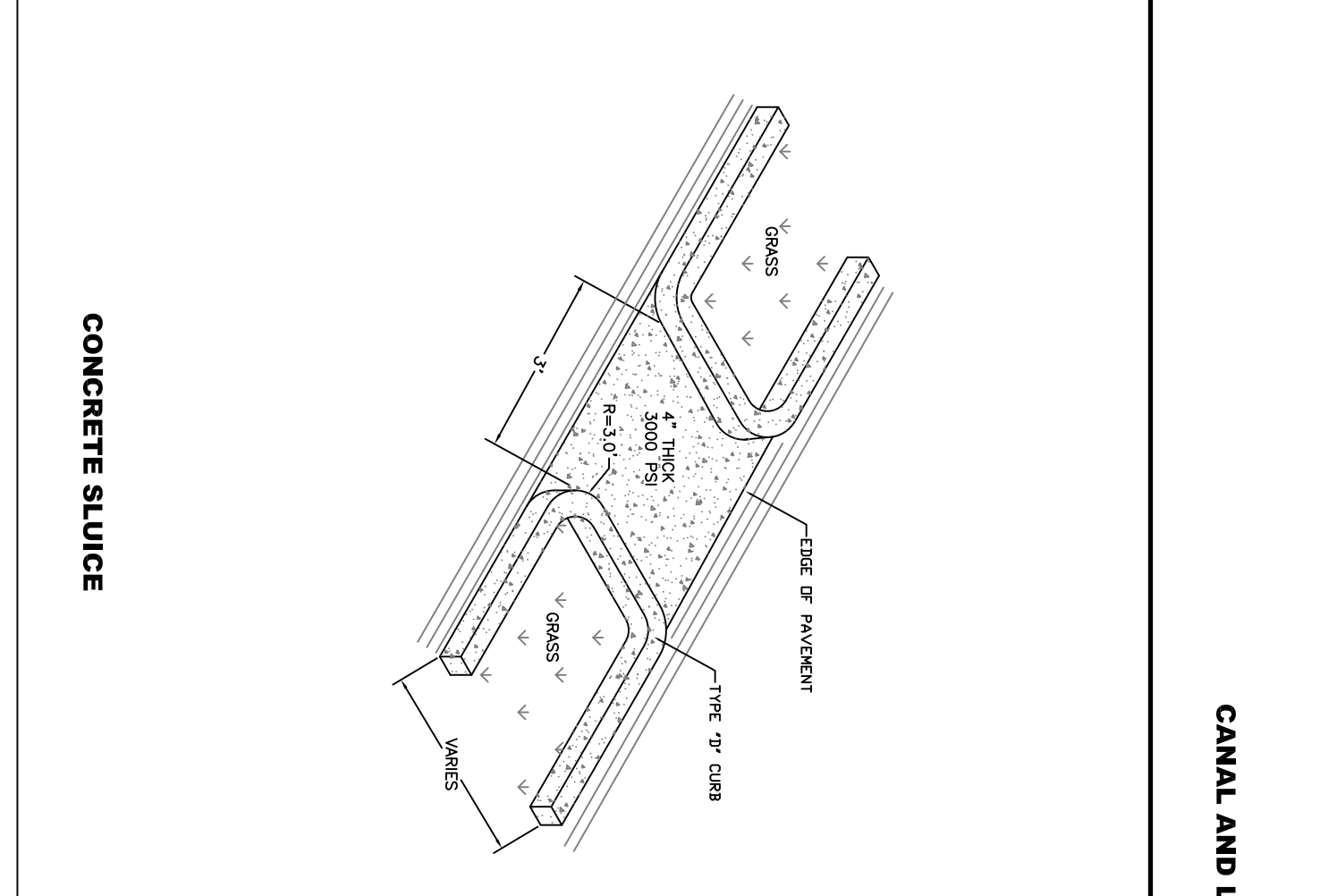
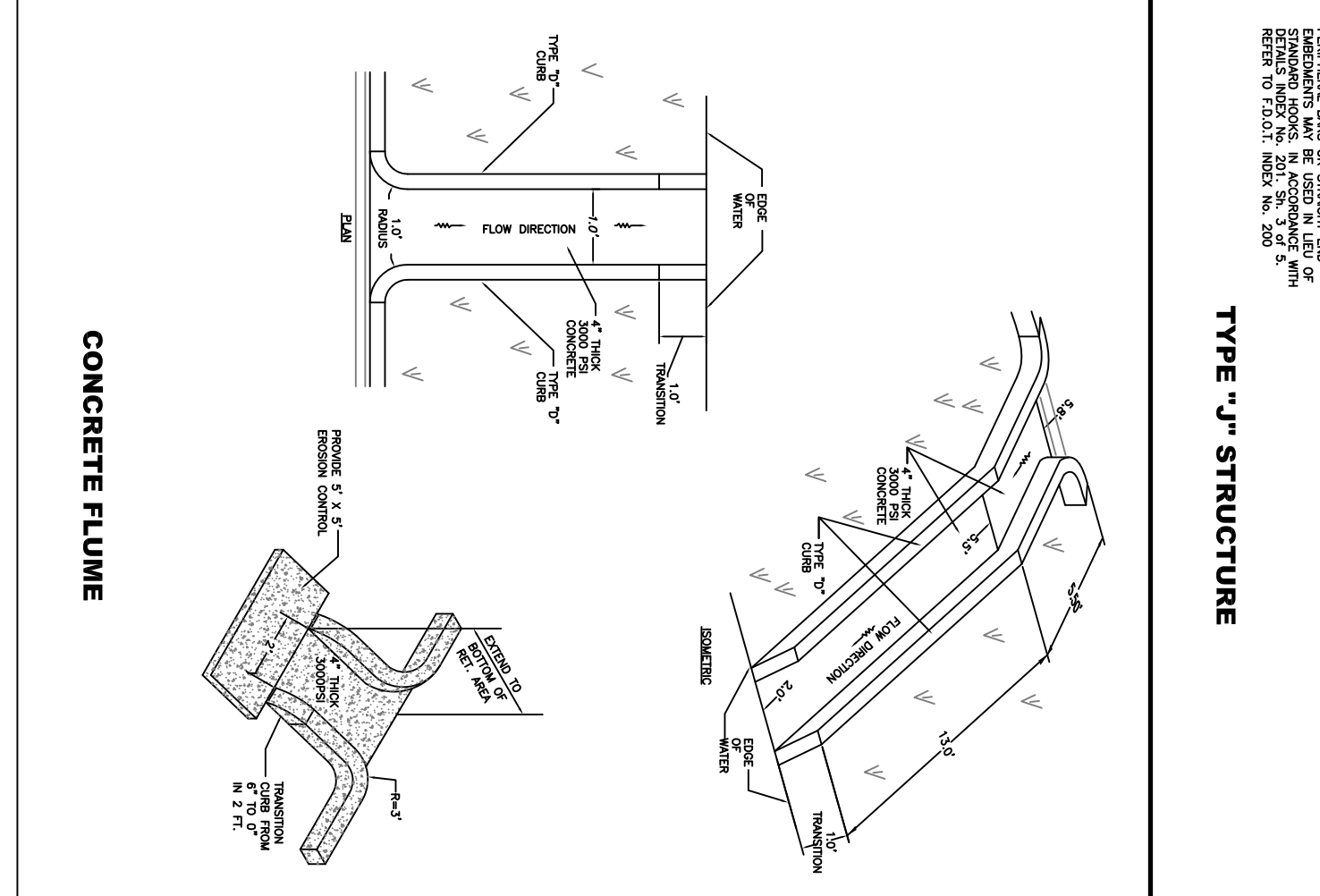
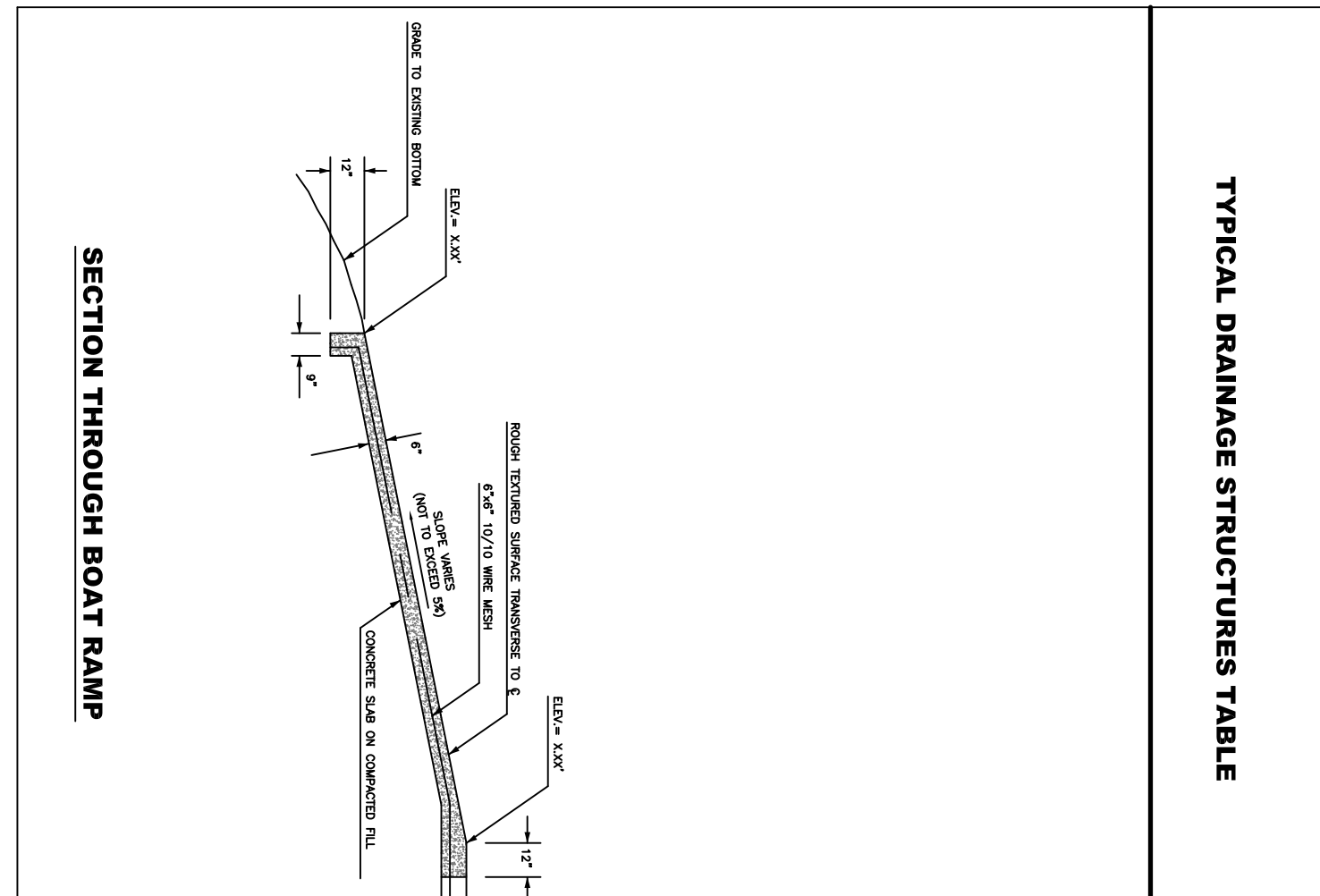
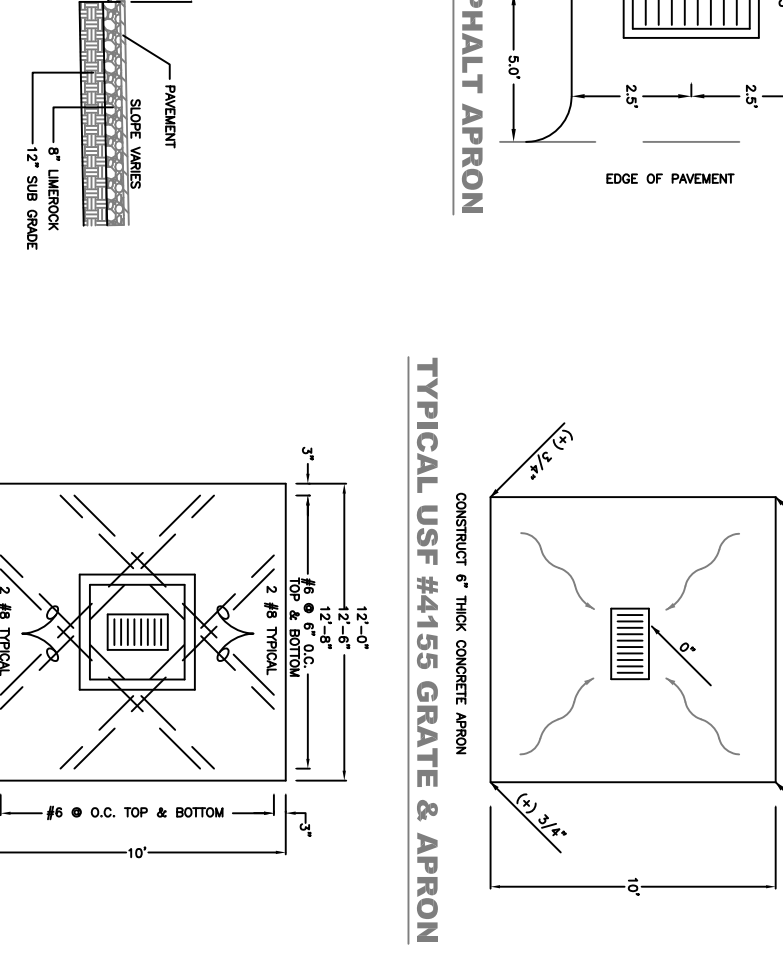
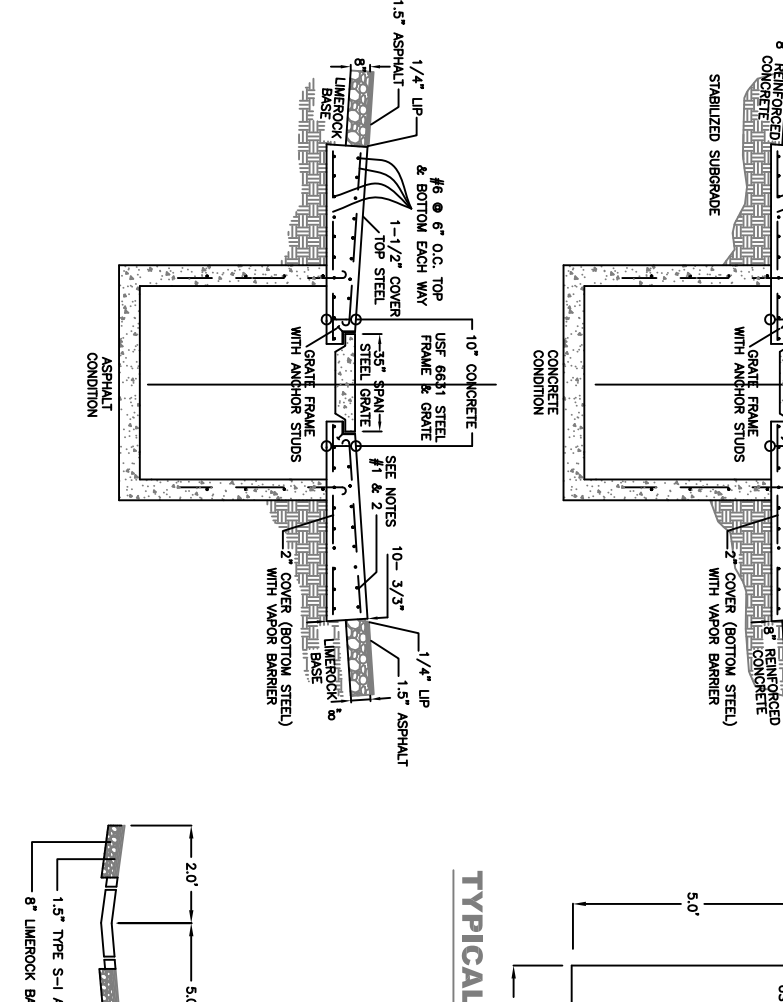
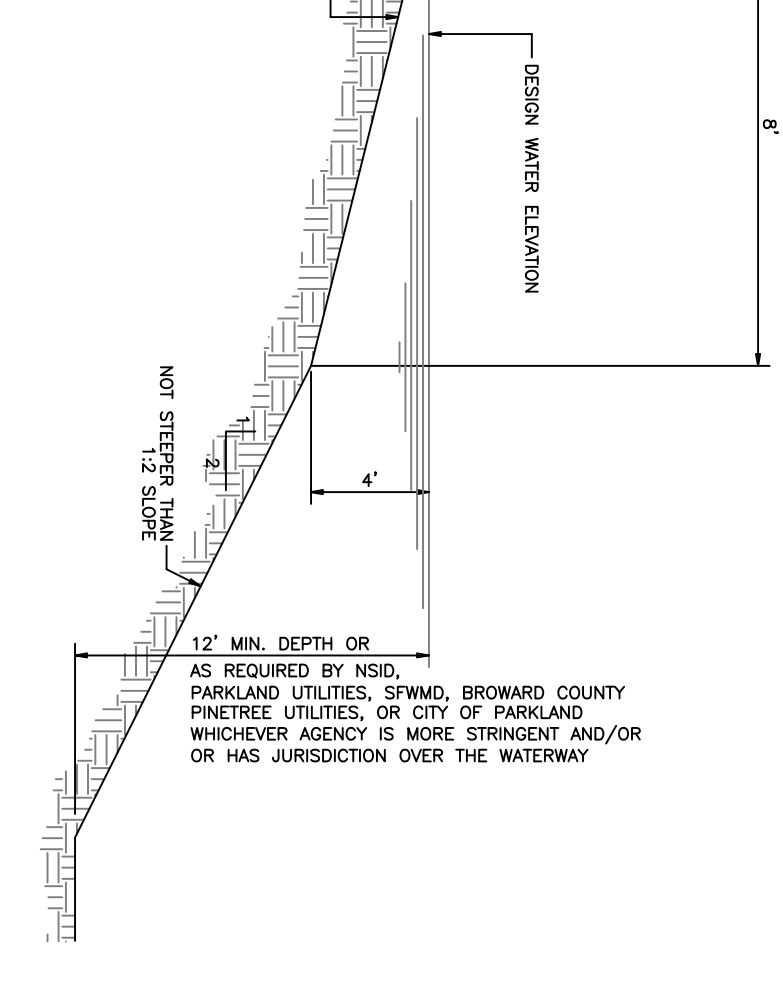
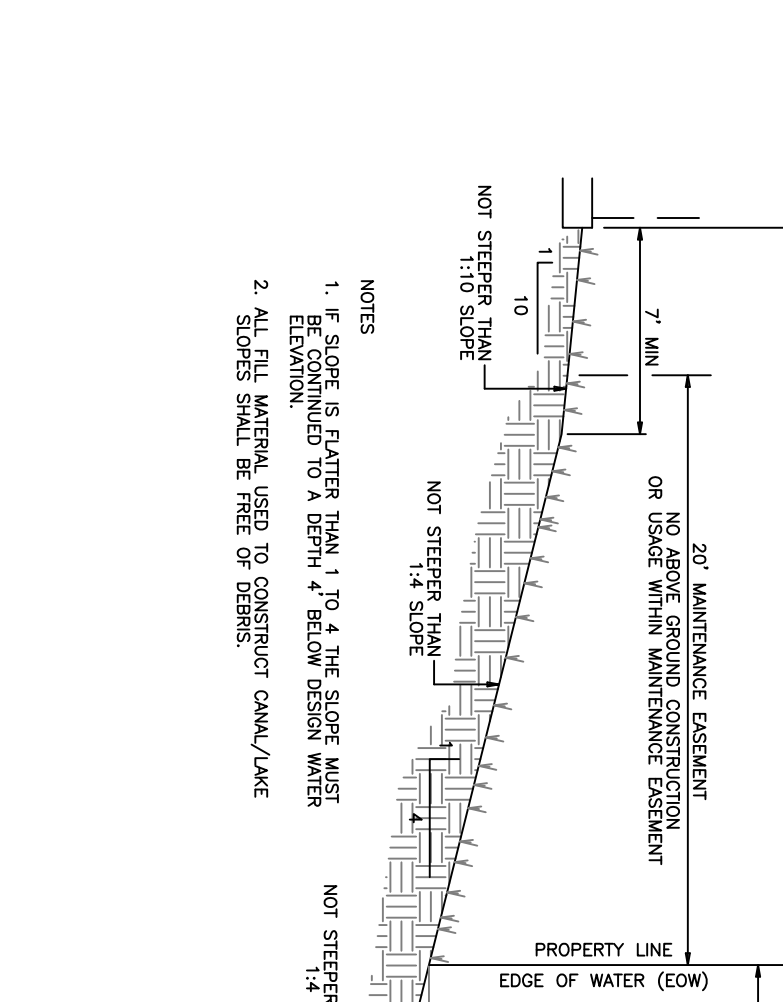
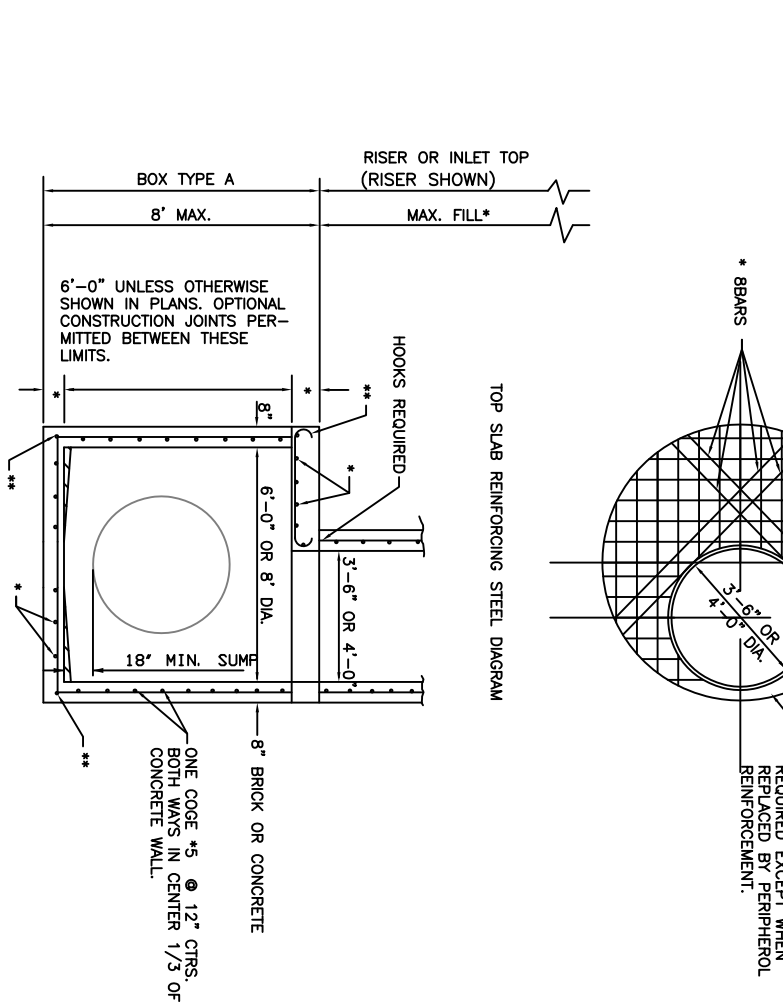


DESCRIPTION	Q	H	G	L	F	R	M	E	C	CONCRETE	STEEL	NO. OF SHEETS
0' HOLES (1:1)												
1' HOLES (1:1)												
2' HOLES (1:1)												
3' HOLES (1:1)												
4' HOLES (1:1)												
5' HOLES (1:1)												
6' HOLES (1:1)												
7' HOLES (1:1)												
8' HOLES (1:1)												
9' HOLES (1:1)												
10' HOLES (1:1)												



CD No.	TYPE/SIZE	PIPE SIZE	INLET ELEV.	INLET	OUTLET ELEV.	PIPE MATERIAL	COMMENTS



No.	Date	By	Design By:

REVISIONS

Checked By: _____ Date: _____
 Approved By: _____ Date: _____

CITY OF PARKLAND
ENGINEERING DIVISION

STANDARD DETAILS
PAVING AND DRAINAGE

CITY OF PARKLAND, BROWARD COUNTY, FLORIDA

Scale: N.T.S.
SHEET PD4